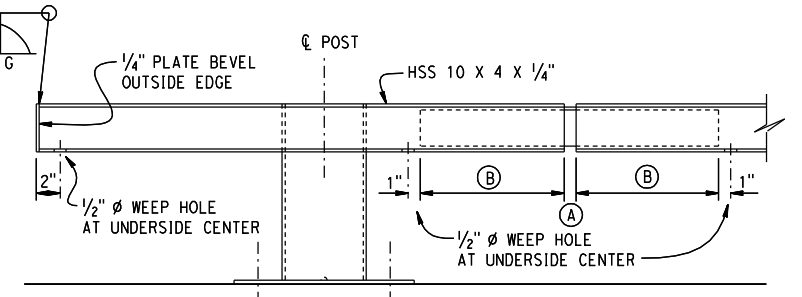
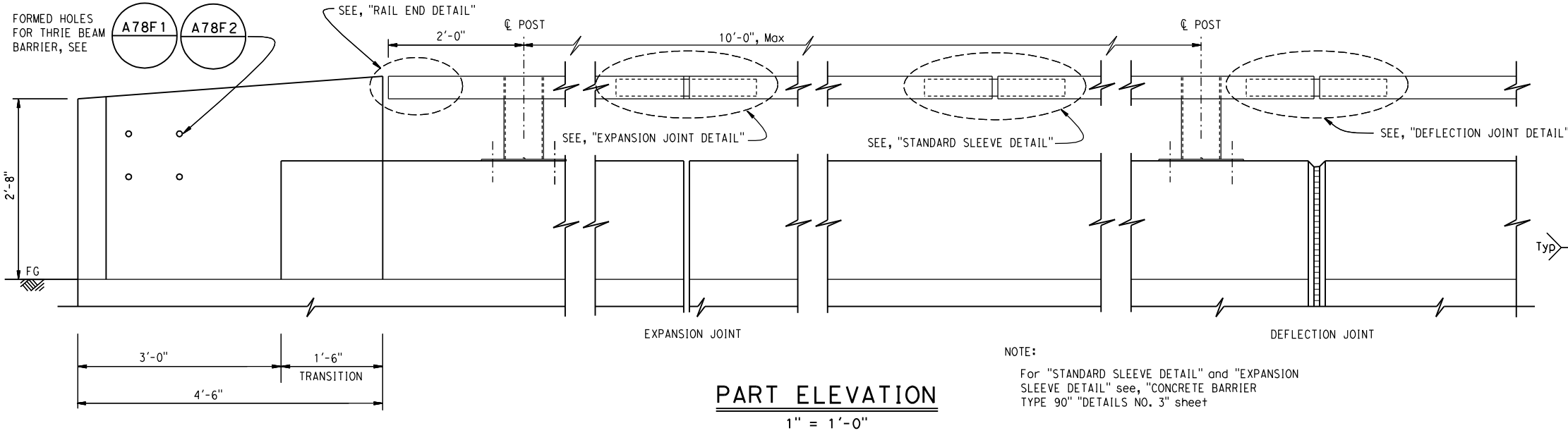


DIST	COUNTY	ROUTE	POST MILES TOTAL PROJECT	SHEET No.	TOTAL SHEETS
X	X	X	X	X	X

REGISTERED CIVIL ENGINEER	DATE	X
PLANS APPROVAL DATE		

REGISTERED PROFESSIONAL ENGINEER	No.	X
Exp.	X	
CIVIL		
STATE OF CALIFORNIA		

The State of California or its officers or agents shall not be responsible for the accuracy or completeness of electronic copies of this plan sheet.



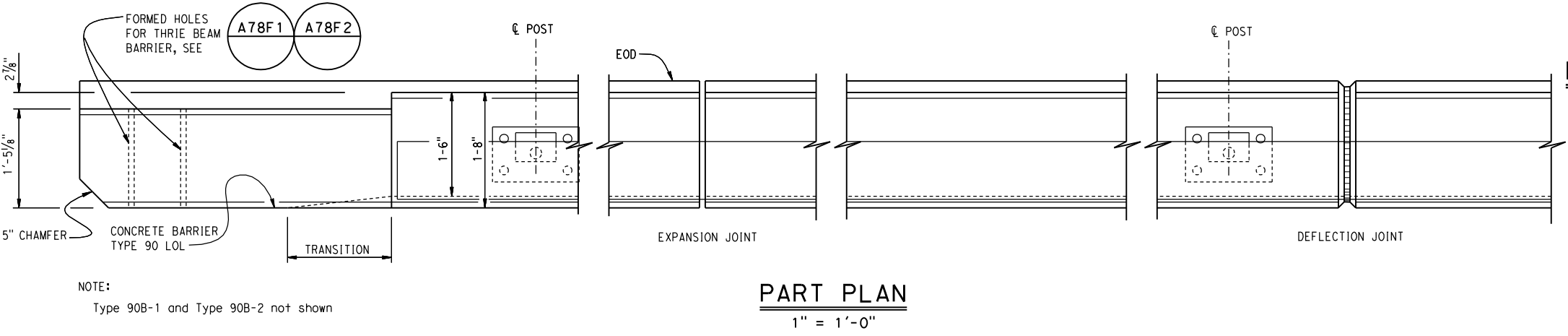
NOTE:
For "STANDARD SLEEVE DETAIL" and "EXPANSION SLEEVE DETAIL" see, "CONCRETE BARRIER TYPE 90" DETAILS NO. 3" sheet

NOTE:
For details not shown, see "DETAILS NO. 3" sheet

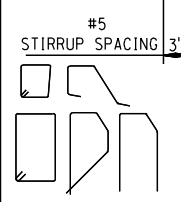
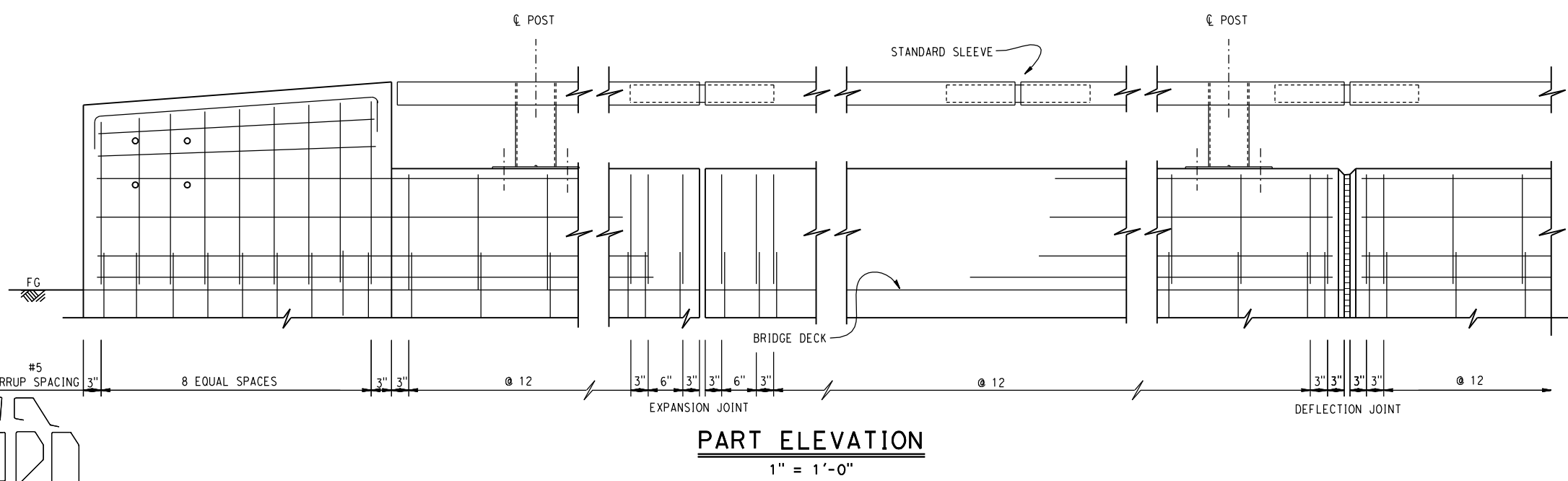
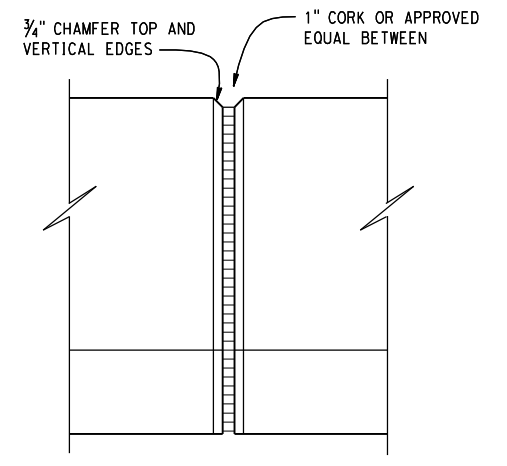
EXPANSION JOINT DETAIL
1 1/2" = 1'-0"

(A) 1" AT DEFLECTION JOINTS. AT EXPANSION JOINTS THE SPACE SHALL BE 1" LARGER THAN THE BRIDGE EXPANSION JOINT

(B) 4" AT DEFLECTION JOINTS AND 8" AT EXPANSION JOINTS



RAIL END DETAIL
1 1/2" = 1'-0"



STANDARD DRAWING
FILE NO. xs16-050-2
APPROVAL DATE <u> X-X-X </u>

STATE OF CALIFORNIA DEPARTMENT OF TRANSPORTATION	DIVISION OF ENGINEERING SERVICES	BRIDGE NO. X
		POST MILE X

X

CONCRETE BARRIER TYPE 90	
DETAILS NO. 2	